



### Ford Mustang (with 8" touchscreen) 2015-2022

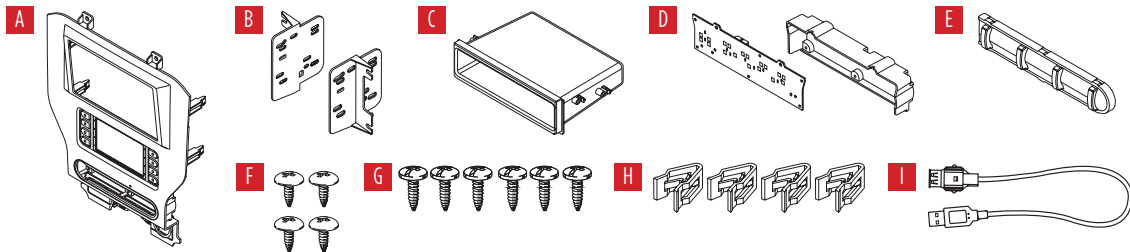
Visit [MetraOnline.com](http://MetraOnline.com) for more detailed information about the product and up-to-date vehicle specific applications

#### KIT FEATURES

- ISO DIN radio provision with pocket
- ISO DDIN radio provision
- Painted charcoal
- Touchscreen display for climate and personalization features

#### KIT COMPONENTS

- A) Radio trim panel with touchscreen display
- B) Radio brackets
- C) Pocket
- D) Engine start/stop circuit board and cover
- E) Engine start/stop trim
- F) #8 x 3/8" Phillips truss-head screws (4)
- G) #4 x 1/2" Phillips pan-head screws (6)
- H) Panel clips (4)
- I) USB cable
- J) HVAC interface and wiring harness (not shown)
- K) Antenna adapter (not shown)



#### TABLE OF CONTENTS

Dash Disassembly.....	2-3
Kit Preparation.....	4-5
Kit Assembly	
–ISO DIN radio provision with pocket.....	6
–ISO DDIN radio provision .....	6
Axxess Interface installation .....	7-15
Final Assembly.....	11

#### WIRING & ANTENNA CONNECTIONS (sold separately)

Wiring Harness: Axxess interface and harness included  
Antenna Adapter: 40-EU10 (sold separately)

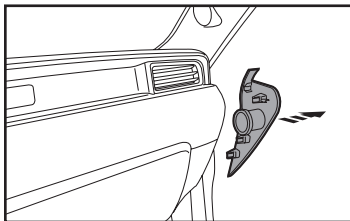
#### TOOLS REQUIRED

- Panel removal tool
- Phillips screwdriver
- 9/32" socket wrench
- Cutting tool
- Torx T-10 screwdriver

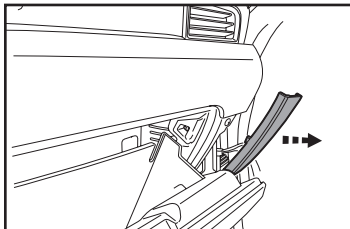
**Attention!** With the key out of the ignition, disconnect the negative battery terminal before installing this product. Ensure that all installation connections are secure before cycling the ignition to test this product.

## DASH DISASSEMBLY

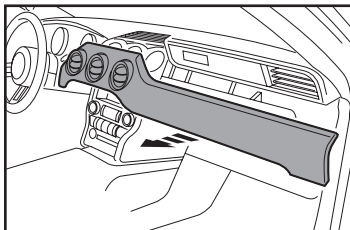
1. Open the passenger door and remove the trim panel from the side of the dash. (Figure A)
2. Open the glove box and remove the trim panel on the right side. (Figure B)
3. Unclip and remove the trim/vent dash panel. (Figure C)



(Figure A)



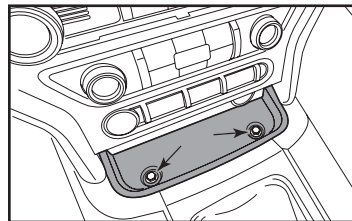
(Figure B)



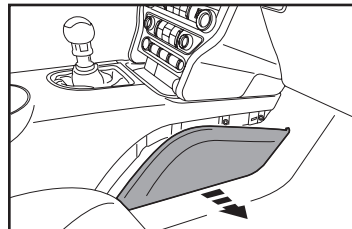
(Figure C)

4. Remove the rubber tray cover in front of the shifter, and then remove the (2) 9/32" screws exposed. (Figure D)
5. Unclip and remove the front side panels from each side of the center console. (Figure E)
6. Remove the (2) 9/32" screws from each side of the center console. (Figure F)

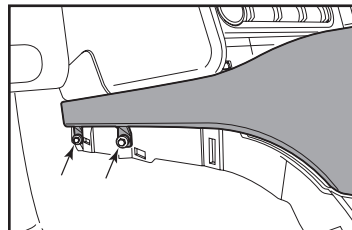
*Continued on the next page*



(Figure D)



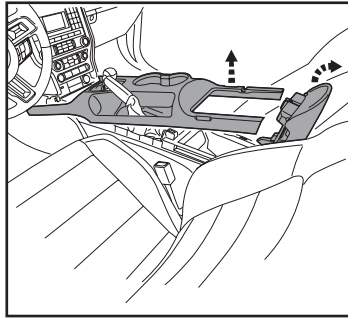
(Figure E)



(Figure F)

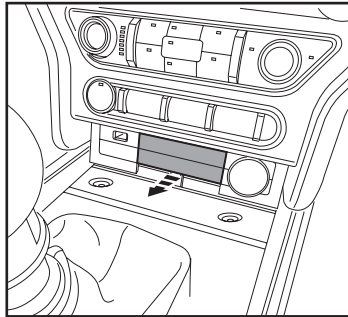
## DASH DISASSEMBLY (CONT.)

- Unclip the shifter trim bezel and slightly pull it up to clear the center console trim bezel removal.
- Open the center console storage compartment. Unclip the center console trim bezel, then slide it toward the rear of the vehicle to remove it. (Figure G)



(Figure G)

- Note:** The complete center console does not need to be removed, but if it is desired to be removed, the Push-to-Start module must be connected when testing the kit.
- Remove the plastic tray in front of the shifter.
  - Remove the center plastic trim (knockout) between the power outlet and USB jack. (Figure H)

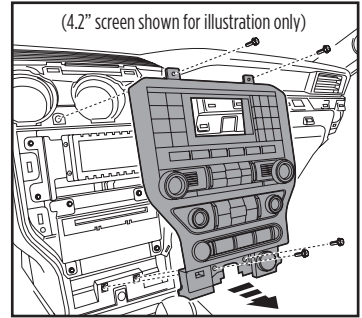


(Figure H)

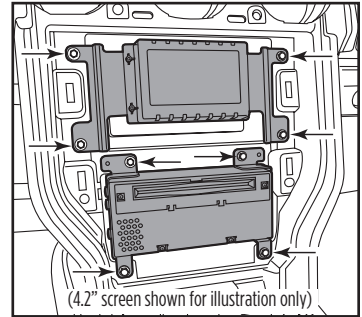
**Ensure that the vehicle is completely off before proceeding onto the following (3) steps:**

- Remove the (4) 9/32" screws securing the radio/climate control panel, and then unclip, unplug, and remove. (Figure I)
- Remove the (4) 9/32" screws securing the display screen, then unplug and remove. (Figure J)
- Remove the (4) 9/32" screws securing the radio chassis, then unplug and remove. (Figure J)

*Continue to Kit Preparation*



(Figure I)



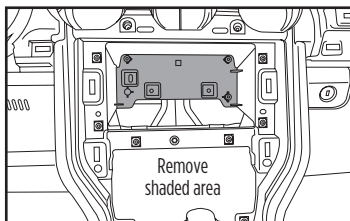
(Figure J)

## KIT PREPARATION

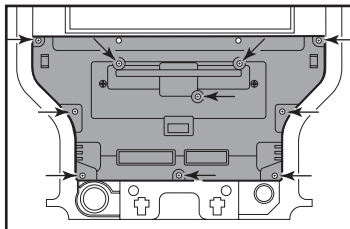
1. Cut and remove the shaded area from the sub-dash to allow clearance for the aftermarket radio. (Figure A)

### From the factory radio/climate control panel:

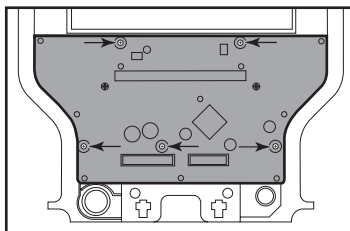
1. Remove the (10) T-10 Torx screws securing the plastic panel cover to the rear of the panel, and then remove. (Figure B)
2. Remove the (5) T-10 Torx screws securing the circuit board, and then remove. (Figure C)



(Figure A)



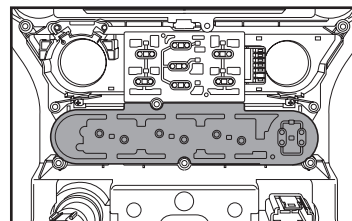
(Figure B)



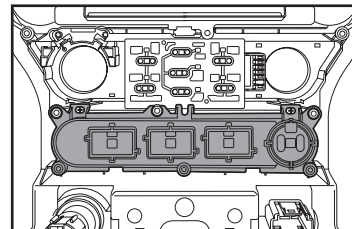
(Figure C)

3. Remove the rubber button membrane from the back of the engine start/stop switch panel. (Figure D)
4. Remove the engine start/stop switch panel. (Figure E)
5. Press in on the (2) retaining tabs inside the power outlet to remove the inner portion, and then unsnap the outer ring and cover. (Figure F)

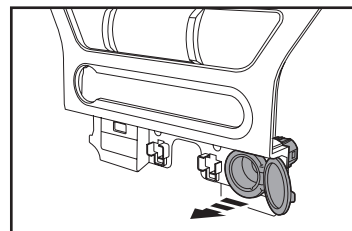
*Continued on the next page*



(Figure D)



(Figure E)

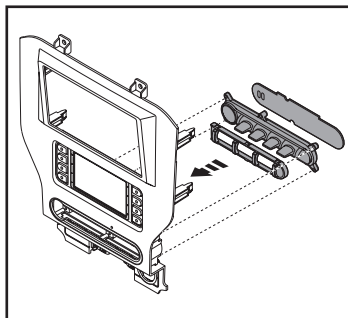


(Figure F)

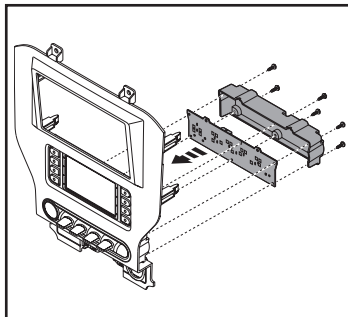
## KIT PREPARATION (CONT.)

### To the 99-5840CH radio trim panel:

1. Attach the **engine start/stop switch panel**, and then the **rubber button membrane**. **Note:** engine start/stop trim has been included for 2018-2022 models. (Figure G)
2. Secure the **engine start/stop circuit board and cover** to the switch/cover assembly using the (6) #4 x 1/2" Phillips pan-head screws provided. (Figure H)



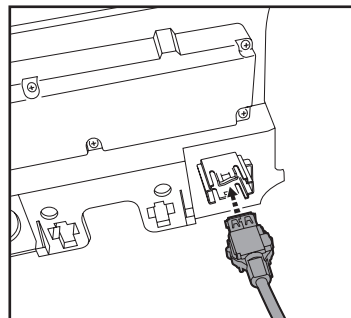
(Figure G)



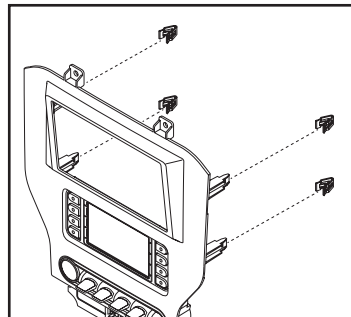
(Figure H)

3. Insert the **USB cable** into the USB slot, through the rear. (Figure I)
4. Attach the (4) **panel clips** provided. (Figure J)

*Continue to Kit Assembly*



(Figure I)



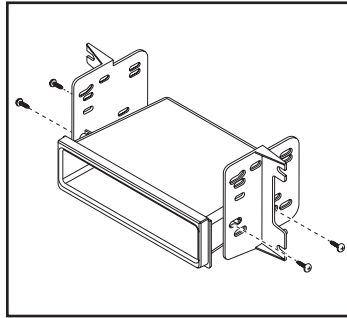
(Figure J)

## KIT ASSEMBLY

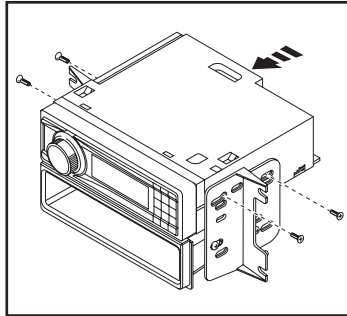
### ISO DIN radio provision with pocket

1. Attach the **pocket** to the **radio brackets** using the (4) #8 x 3/8" Phillips truss-head screws provided. (Figure A)
2. Remove the metal DIN sleeve and trim ring from the aftermarket radio.
3. Slide the radio into the bracket/pocket assembly, and then secure it using the screws supplied with the radio. (Figure B)

*Continue to Axcess  
Interface Installation*



(Figure A)

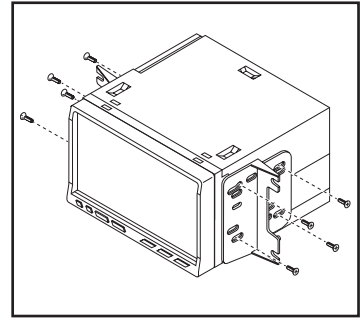


(Figure B)

### ISO DDIN radio provision

1. Attach the **radio brackets** to the radio using the screws supplied with the radio. (Figure A)

*Continue to Axcess  
Interface Installation*



(Figure A)

# AXXESS INTERFACE INSTALLATION

## INTERFACE FEATURES

---

- Provides accessory power (12-volt 10-amp)
- Retains R.A.P. (retained accessory power)
- Provides NAV outputs (parking brake, reverse, speed sense)
- Retains audio controls on the steering wheel
- Retains the factory backup camera
- Retains balance and fade
- Micro “B” USB updatable

## INTERFACE COMPONENTS

---

- Axxess interface (built into the touchscreen display)
- 5840 harness
- HVAC interface
- HVAC interface harness
- 16-pin harness with stripped leads
- 54-pin backup camera harness
- 4-pin harness with yellow RCA jacks
- Female 3.5mm connector with stripped leads

## TABLE OF CONTENTS

---

Connections to be made .....	8-9
Installation .....	10
Programming.....	11
Touchscreen display operation .....	12-13
Steering wheel control settings.....	14-15
Troubleshooting.....	16

## TOOLS REQUIRED

---

- Crimping tool and connectors, or solder gun, solder, and heat shrink
- Tape • Wire cutter • Zip ties

## CONNECTIONS TO BE MADE

### From the 16-pin harness with stripped leads to the aftermarket radio:

- Connect the **Red** wire to the accessory wire.
- Connect the **Blue/White** wire to the amp turn on wire. This wire must be connected to hear sound from the factory amplifier.
- If the aftermarket radio has an illumination wire, connect the **Orange/White** wire to it.
- Connect the **Gray** wire to the right front positive speaker output.
- Connect the **Gray/Black** wire to the right front negative speaker output.
- Connect the **White** wire to the left front positive speaker output.
- Connect the **White/Black** wire to the left front negative speaker output.
- Connect the **Green** wire to the left rear positive speaker output.
- Connect the **Green/Black** wire to the left rear negative speaker output.
- Connect the **Purple** wire to the right rear positive speaker output.
- Connect the **Purple/Black** wire to the right rear negative output.

The following (3) wires are only for multimedia/navigation radios that require these wires.

- Connect the **Blue/Pink** wire to the VSS/speed sense wire.
- Connect the **Green/Purple** wire to the reverse wire.
- Connect the **Light Green** wire to the parking brake wire.
- Tape off and disregard the following (1) wire, it will not be used in this application: **Brown**

### From the 5840 harness to the aftermarket radio:

- Connect the **Black** wire to the ground wire.
- Connect the **Yellow** wire to the battery wire.
- Connect the **Blue** wire to the power antenna wire.
- Disregard the **Red** and **White** RCA jacks labeled “RSE/SYNC/SAT”, they will not be used in this application.
- Disregard the **Red** and **White** RCA jacks labeled “FROM 3.5”, they will not be used in this application.
- Tape off and disregard the following (4) wires, they will not be used in this application: **Green, Green/Black, Purple, Purple/Black**

*Continued on the next page*



## CONNECTIONS TO BE MADE

### 3.5mm jack - steering wheel control retention:

The 3.5mm jack is to be used to retain audio controls on the steering wheel control.

- **For the radios listed below:** connect the included **female 3.5mm connector with stripped leads**, to the male 3.5mm SWC jack from the **5840 harness**. Any remaining wires tape off and disregard.
  - **Eclipse:** Connect the steering wheel control wire, normally **Brown**, to the **Brown/White** wire of the connector. Then connect the remaining steering wheel control wire, normally **Brown/White**, to the **Brown** wire of the connector.
  - **Metra OE:** Connect the steering wheel control Key 1 wire (**Gray**) to the **Brown** wire.
  - **Kenwood** or select JVC with a steering wheel control wire: Connect the **Blue/Yellow** wire to the **Brown** wire.  
**Note:** If the **Kenwood** radio auto detects as a **JVC**, manually set the radio type to **Kenwood**. See the instructions under changing radio type.
  - **XITE:** Connect the steering wheel control SWC-2 wire from the radio to the Brown wire.
  - **Parrot Asteroid Smart or Tablet:** Connect the 3.5mm jack into the AX-SWC-PARROT (sold separately), and then connect the 4-pin connector from the AX-SWC-PARROT into the radio.  
**Note:** The radio must be updated to rev. 2.1.4 or higher software.
  - **Universal “2 or 3 wire” radio:** Connect the steering wheel control wire, referred to as Key-A or SWC-1, to the **Brown** wire of the connector. Then connect the remaining steering wheel control wire, referred to as Key-B or SWC-2, to the **Brown/White** wire of the connector. If the radio comes with a third wire for ground, disregard this wire.  
**Note:** After the interface has been programmed to the vehicle, refer to the manual provided with the radio for assigning the SWC buttons. Contact the radio manufacturer for more information.
- **For all other radios:** Connect the 3.5mm jack into the port on the radio designated for an external steering wheel control interface. Refer to the manual provided with the radio if in doubt as to where the 3.5mm jack goes to.

### 54-pin backup camera harness:

There are two different methods for connecting the factory backup camera.

#### If retaining the camera to the aftermarket radio is desired:

- Connect the **Yellow** RCA jack the backup camera input of the aftermarket radio.

#### If retaining the camera to the touchscreen display is desired:

- Connect the **Yellow** RCA jack, to the **Yellow** RCA jack from the **4-pin harness with yellow RCA jacks** labeled “Rearview camera”.  
**Note:** If this method is chosen, the backup camera option must be enabled in the **Configuration Settings**.
- Disregard the **Yellow** RCA jack labeled “AUX video”, it will not be used in this application.

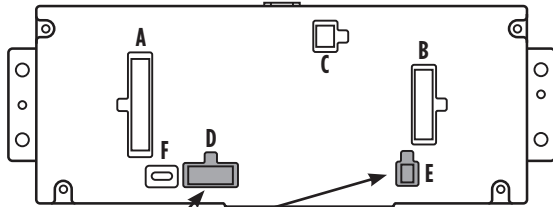
# INSTALLATION

It is highly advisable to read the following steps beforehand, to ensure a clear understanding of what is to be expected. The following steps must be done in the order that they are numbered.

## With the vehicle completely off:

### Touchscreen display

1. Connect the **16-pin harness with stripped leads** into port “B” in the touchscreen display.
2. Connect the **5840 harness** to the wiring harnesses in the vehicle. These harnesses are the ones removed in step 13 of dash disassembly. Then insert the **5840 harness** into port “A” in the touchscreen display. But do not install this harness until exactly before step 1 of **Programming** section. This is a timed process.
3. Connect the **4-pin harness with yellow RCA jacks** into port “C” in the touchscreen display.
4. Disregard ports “D” and “E”, they will not be used in this application.
5. Port “F” is an update port for future firmware upgrades.



**Note:** DO NOT CONNECT!

### HVAC interface

6. Connect the **HVAC interface harness** into the **HVAC interface**, and then to the wiring harnesses in the vehicle. These harnesses are the ones removed in step 11 of dash disassembly.
  - a. Then connect the **10-pin harness** into the engine start/stop circuit board assembly.

**Attention:** There are (2) 10-pin connectors, one in the engine start/stop circuit board assembly, and one in the touchscreen display. Use only the appropriate connector and disregard the other one. If the incorrect port is accidentally used, the vehicle will need to be reset by removing the battery for a couple minutes.

**Note:** Disregard the 4-pin flat to 4-pin stacked harness, it will not be used in this application.
7. Connect the 6-pin harness from the **5840 harness** to the **HVAC interface**.
8. Connect the female connector of the **54-pin backup camera harness**, to the wiring harness in the vehicle. This connector is located behind the factory display screen, which was removed in step 12 of dash disassembly.

**Note:** Disregard the male connector, it will not be used in this application.
9. Locate the factory antenna connector in the dash and complete all necessary connections to the radio. Use the antenna adapter provided to adapt the factory antenna connector to the aftermarket radio.

## PROGRAMMING

1. Refer to step 2 from the **Installation** section.
2. Press the push-to-start button to start the vehicle.
3. Program the kit:
  - a. Once the touchscreen display loads up, select the vehicle type.
  - b. Wait until the radio comes on, and the touchscreen display shows **SWC Configured**. This process may take up to 3 minutes.

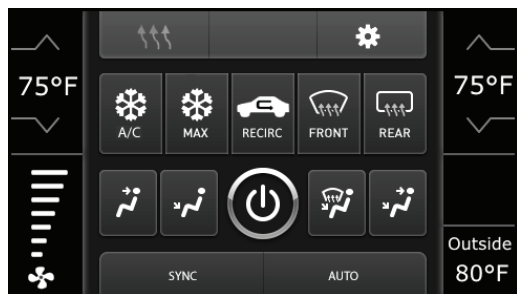
**Note:** If the touchscreen display does not load up, or the radio doesn't come on within 3 minutes, and/or the touchscreen display does not show **SWC Configured**, check all connections, then reset the interface and try again. Refer to the **Troubleshooting** section.
4. Cycle the key off. If the driver's door is closed, open and close the door. Cycle the key back on.
5. Test all functions of the installation for proper operation, before reassembling the dash.

## FINAL ASSEMBLY

1. Connect the **USB cable** attached to the **radio trim panel with touchscreen display**, to the USB port in the back of the radio, if applicable.
2. Secure the completed assembly into the upper dash using the factory hardware removed in step 12 of dash disassembly.
3. Snap the **radio trim panel with touchscreen display** over the completed assembly, and then reassemble the dash in reverse order of disassembly.

## TOUCHSCREEN DISPLAY OPERATION

### Climate Control screen

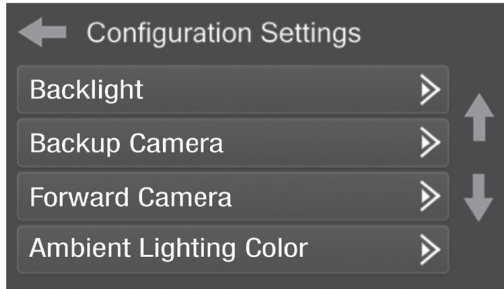


- This is the climate control screen which will be displayed on the touchscreen display. This is considered the **Main Menu**.
- The upper left tab with (3) arrows will take you to the **Heated/Cooled Seats** and **Heated Steering** are now placed, if applicable.
- The upper right tab with the gear icon will take you to the **Configuration Settings** screen.
- The climate controls will function in the same manner that they did with the factory climate controls.

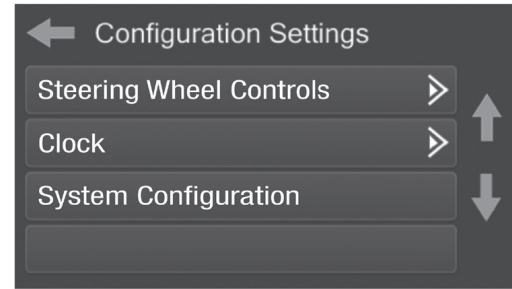
*Continued on the next page*

## TOUCHSCREEN DISPLAY OPERATION (CONT.)

### Configuration Settings



- **Backlight**
  - For controlling the color of the buttons and the back-light intensity.
- **Backup Camera**
  - Enable/disables the backup camera image to the touchscreen display. Disabled by default
- **Forward Camera**
  - To direct where the camera image will be shown, or to disable camera
- **Ambient Lighting Color**
  - For adjusting the ambient light color in the vehicle



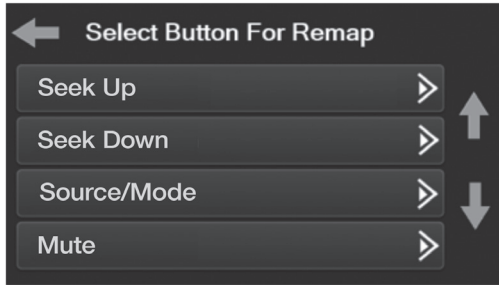
- **Steering Wheel Controls**
  - Remap Buttons – For remapping the steering wheel control buttons
  - Dual Assign – For dual assigning the steering wheel control buttons (long button press)
  - Select Radio – For auto detecting the radio, or changing the radio type
- **Clock**
  - For setting the clock and hour mode

#### System Configuration

- About - Information regarding the software in the kit
- Temperature Unit - To change between Celsius and Fahrenheit.
- Digital Amp Gain - For adjusting the output gain to the amplifier
- Reset Vehicle Type - To reset the kit to default settings

## STEERING WHEEL CONTROL SETTINGS

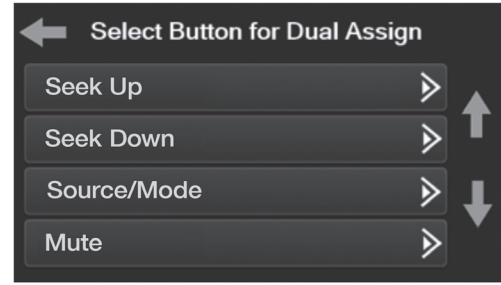
### Remap Button screen



- The interface has the ability to change the button assignment for the steering wheel control audio buttons, except Volume-Up and Volume-Down. Follow the prompts on the touchscreen display to remap the steering wheel control audio button(s) to your liking.

**Note:** The aftermarket radio may not have all of these commands. Please refer to the manual provided with the radio, or contact the radio manufacturer, for specific commands recognized by that particular radio.

### Dual Assign screen



- The interface has the capability to assign two functions to a single button, except Volume-Up and Volume-Down. Follow the prompts on the touchscreen display to program the button(s) to your liking.

**Note:** Seek-Up and Seek-Down come programmed as Preset-Up and Preset-Down for a long button press.

*Continued on the next page*

## STEERING WHEEL CONTROL SETTINGS (CONT.)

### Select Radio screen



- To show which brand radio is “auto detected” to the interface, press the “Autodetect” button. The radio detected will have a filled in circle. If the incorrect radio is shown, select the proper radio.
- Following is a list of radio manufacturers that the interface presently acknowledges. Others may be added at a later date. Universal “2 or 3 wire” radios can show up as any of these radio manufacturers.

Eclipse (Type 1) †	JVC	Clarion (Type 2) †	Parrot **
Kenwood ‡	Pioneer/Jensen	Metra OE	XITE
Clarion (Type 1) †	Alpine *	Eclipse (Type 2) †	Philips
Sony / Dual	Visteon	LG	JBL
	Valor		

**\* Note:** If the interface shows an Alpine radio, and you do not have an Alpine radio, that means the interface does not detect a radio connected it, i.e., an open connection. Verify that the 3.5mm jack is connected to the correct steering wheel jack/wire in the radio.

**\*\* Note:** The AX-SWC-PARROT is required (sold separately). Also, the Parrot radio must be updated to rev. 2.1.4 or higher through [www.parrot.com](http://www.parrot.com).

**† Note:** If you have a Clarion radio and the steering wheel controls do not work, change the radio type to the other Clarion radio type; same for Eclipse.

**‡ Note:** If you have a Kenwood radio and the touchscreen display shows a JVC radio, change the radio type to Kenwood.



## TROUBLESHOOTING

### Resetting the interface

#### Option # 1

1. With everything connected and the car running.
2. Hold the bottom (2) buttons for 3 seconds, then release. (Figure A) (The screen will turn black and then put you in the vehicle selection screen)
3. Select your vehicle and wait till the "SWC Configured " appears on the screen.
4. Turn ignition off and start vehicle, then test your interface.



(Figure A)

#### Option #2

1. With the vehicle running, press the **Reset Vehicle Type** button mentioned in **System Configuration**.
2. Refer to **Programming**, step 3, from this point.

Having difficulties? We're here to help.



Contact our Tech Support line at:

**386-257-1187**



Or via email at:

[techsupport@metra-autosound.com](mailto:techsupport@metra-autosound.com)

### Tech Support Hours (Eastern Standard Time)

Monday - Friday: 9:00 AM - 7:00 PM

Saturday: 10:00 AM - 5:00 PM

Sunday: 10:00 AM - 4:00 PM



**Metra recommends MECP  
certified technicians**





### Ford Mustang (con pantalla táctil de 8") 2015-2022

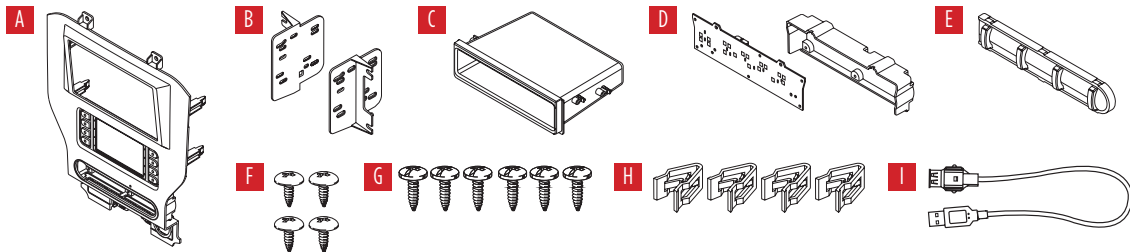
Visite [MetraOnline.com](http://MetraOnline.com) para más información acerca del producto y las aplicaciones específicas más actualizadas del vehículo

#### CARACTERÍSTICAS DEL KIT

- Provisión de radio ISO DIN con cavidad
- Provisión de radio ISO DDIN
- Pantalla táctil para el clima y características de personalización
- Carbón pintado

#### COMPONENTES DEL KIT

- A) Panel de la moldura del radio con pantalla táctil • B) Soportes del radio • C) Cavidad • D) Tablero de circuitos para encender/apagar el motor y cubierta • E) Ajuste de arranque/parada del motor • F) Tornillos Phillips #8 de 3/8" de cabeza segmentada (4) • G) Tornillos Phillips #4 de 1/2" de cabeza troncocónica (6) • H) Ganchos para panel (4) • I) Cable USB • J) Interfaz HVAC y arnés del cableado (no se muestra)



#### INDICE

Desmontaje del tablero .....	2-3
Preparación del kit .....	4-5
Ensamble del kit	
– Provisión de radio ISO DIN con cavidad .....	6
– Provisión de radio ISO DDIN .....	6
Instalación de la interfase Axxess .....	7-15
Montaje final .....	11

#### CABLEADO Y CONEXIONES DE ANTENA

Arnés de cables: • Interfaz Axxess incorporada en pantalla táctil

Adaptador de antena: • Incluido con el kit

#### HERRAMIENTAS REQUERIDAS

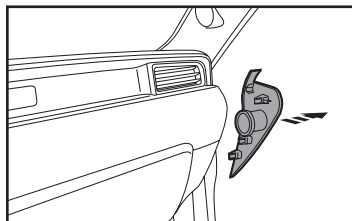
- Herramienta para quitar paneles
- Destornillador Phillips • Llave del tubo 9/32"
- Destornillador Torx T-10 • Herramienta para cortar

***¡Precaución!*** Todos los accesorios, interruptores, paneles de controles de clima y especialmente las luces del indicador de las bolsas de aire deben estar conectados antes ciclar la ignición. Además, no quite el radio de fábrica con la llave en la posición o de encendido ni con el vehículo funcionando.

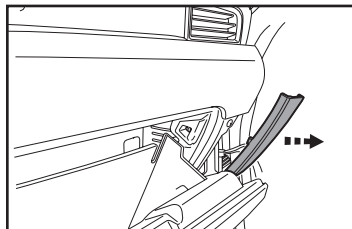
## DESMONTAJE DEL TABLERO

1. Abra la puerta del pasajero y quite el panel de la moldura en el lado del tablero. (Figura A)
2. Abra la guantera y quite el panel de la moldura en el lado derecho. (Figura B)
3. Desenganche y quite el panel del tablero de la moldura/rejilla. (Figura C)

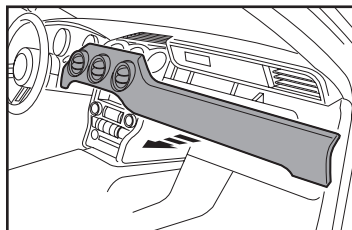
Continúa en la siguiente página



(Figura A)



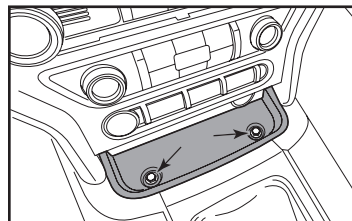
(Figura B)



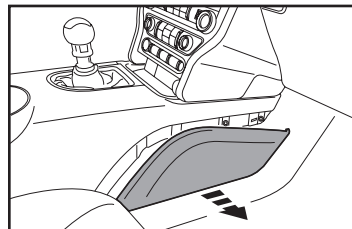
(Figura C)

4. Quite la cubierta de la charola de caucho frente a la palanca de velocidades y luego quite los (2) tornillos de 9/32" que quedan a la vista. (Figura D)
5. Desenganche y quite los paneles laterales frontales de cada lado de la consola central. (Figura E)
6. Quite los (2) tornillos de 9/32" de cada lado de la consola central. (Figura F)

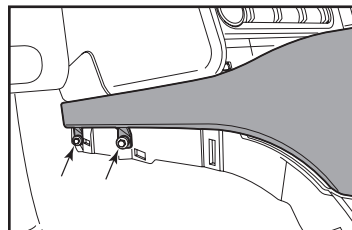
Continúa en la siguiente página



(Figura D)



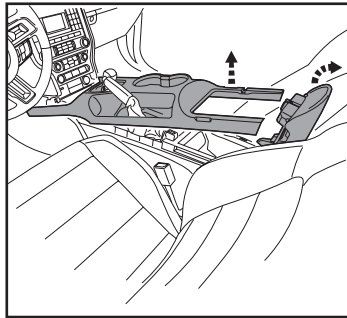
(Figura E)



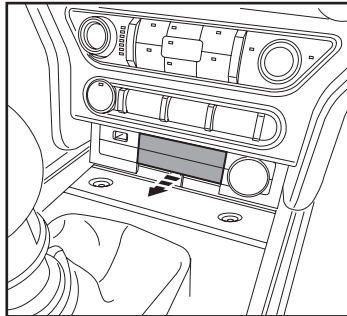
(Figura F)

## DESMONTAJE DEL TABLERO (CONT.)

- Desenganche el bisel de la moldura de la palanca de velocidades y jálela ligeramente hacia arriba para poder quitar la embellecedor de la consola central.
- Abra el compartimiento de almacenaje de la consola central. Desenganche la embellecedor de la consola central, luego deslícela hacia la parte trasera del vehículo para quitarla. (Figura G)  
**Nota:** No es necesario quitar la consola central completa, pero si se desea retirar, el **módulo Push-to-Start** debe estar conectado al probar el kit.
- Quite la charola de plástico de la parte frontal de la palanca de velocidades.
- Quite la moldura de plástico del centro (panel) entre la salida de alimentación y el conector USB. (Figura H)



(Figura G)

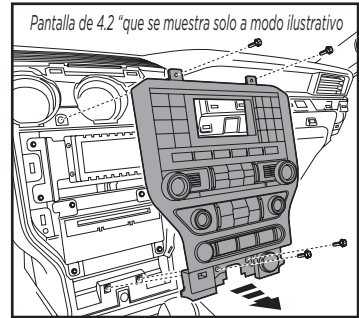


(Figura H)

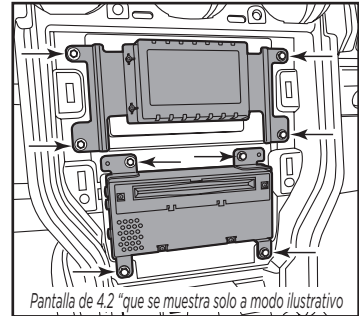
**Asegúrese de que el vehículo esté completamente apagado antes de pasar a los siguientes (3) pasos:**

- Quite los (4) tornillos de 9/32" que sujetan el panel del radio/control del clima, y luego desenganche, desconecte y quite. (Figura I)
- Quite los (4) tornillos de 9/32" que sujetan la pantalla, luego desconecte y quite. (Figura J)
- Quite los (4) tornillos de 9/32" que sujetan el chasis del radio, luego desconecte y quite. (Figura J)

*Continuar la Preparación del Kit*



(Figura I)



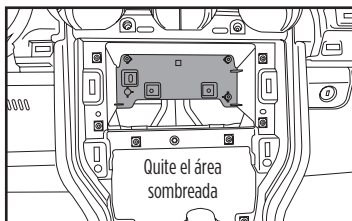
(Figura J)

## PREPARACIÓN DEL KIT

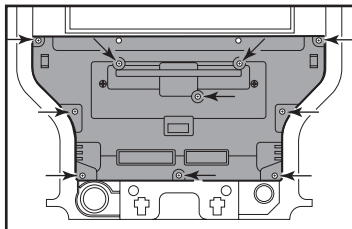
1. Corte y quite el área sombreada del sub tablero para hacer espacio para el radio de mercado secundario. (Figura A)

### Del panel del radio/control del clima de fábrica:

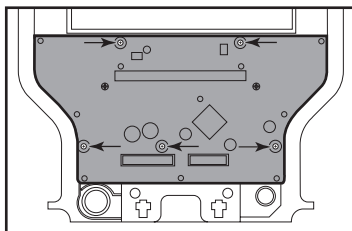
2. Quite los (10) tornillos Torx T-10 sujetando la cubierta del panel de plástico a la parte trasera del panel y luego quite. (Figura B)
3. Quite los (5) tornillos Torx T-10 que sujetan el tablero de circuitos y luego quítelo. (Figura C)



(Figura A)



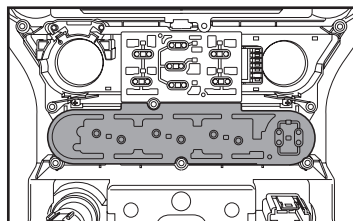
(Figura B)



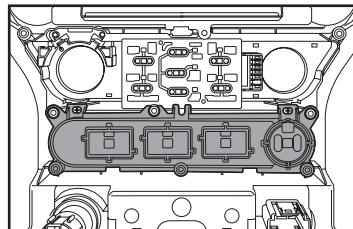
(Figura C)

4. Quite la membrana del botón de caucho de la parte trasera del panel del interruptor de encendido/apagado del motor. (Figura D)
5. Quite el panel del interruptor de encendido/apagado del motor. (Figura E)
6. Oprima hacia adentro en las (2) pestañas de retención dentro de la salida de alimentación y quite la porción interna, y luego suelte a presión el anillo exterior y cubierta. (Figura F)

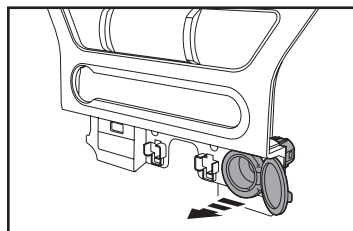
*Continúa en la siguiente página*



(Figura D)



(Figura E)

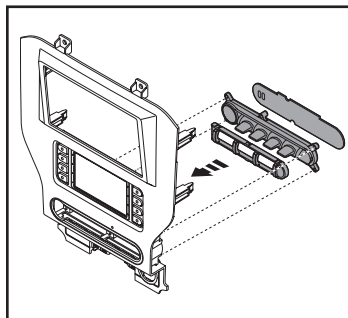


(Figura F)

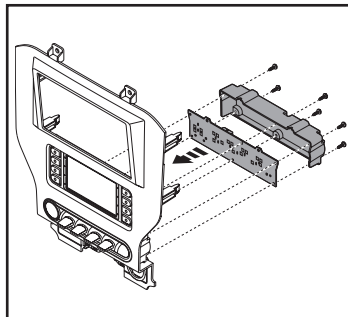
## PREPARACIÓN DEL KIT (CONT.)

### Al panel de la moldura del radio 99-5840CH:

1. Coloque el panel del interruptor de **arranque/parada del motor** y luego la **membrana del botón** de goma.  
**Nota:** el ajuste de arranque/parada del motor es para Modelos 2018-2022.  
(Figura G)
2. Sujete el tablero de **circuitos de encendido/apagado del motor y cubierta** al ensamblaje del interruptor/cubierta usando los (6) tornillos Phillips #4 de 1/2" de cabeza troncocónica suministrados. (Figura H)



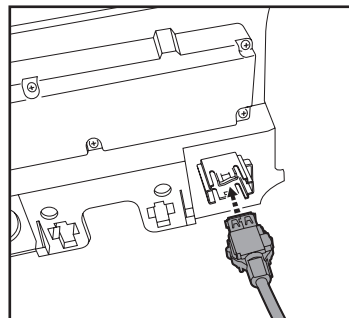
(Figura G)



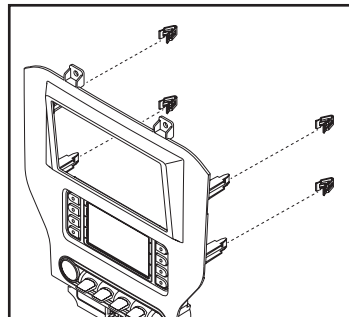
(Figura H)

3. Inserte el **cable USB** en la ranura USB, por la parte trasera. (Figura I)
4. Conecte los (4) **ganchos para panel** suministrados. (Figura J)

Continúe con el ensamble del kit



(Figura I)



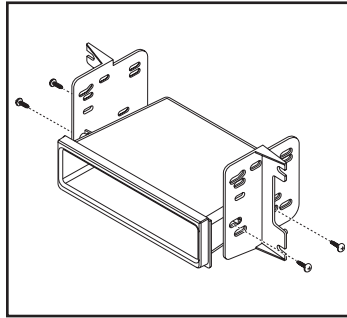
(Figura J)

## ENSAMBLE DEL KIT

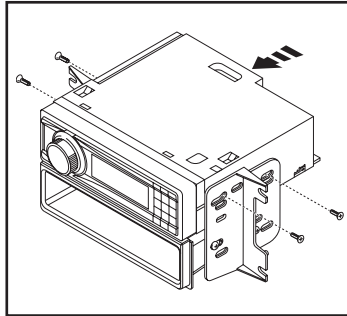
### Provisión de radio ISO DIN con cavidad

1. Fije los **soportes de radio** al **bolsillo** utilizando los (4) tornillos Phillips # 8 x 3/8 "provisos. (Figura A)
2. Quite la manga de metal DIN y el anillo de moldura del radio de mercado secundario.
3. Deslice el radio hacia adentro del ensamble del soporte/cavidad y después sujételo usando los tornillos suministrados con el radio. (Figura B)

*Continúe con la instalación de la interfaz Axxess*



(Figura A)

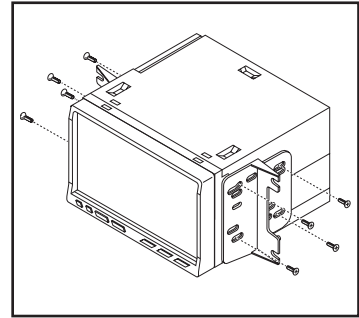


(Figura B)

### Provisión de radio ISO DDIN

1. Fije los **soportes del radio** usando los tornillos que vienen con el radio. (Figura A)

*Continúe con la instalación de la interfaz Axxess*



(Figura A)

# INSTALACIÓN DE LA INTERFAZ AXCESS

## INSTALACIÓN DE LA INTERFAZ AXCESS

---

- Provee corriente de accesorio (12 voltios 10 amperes)
- Retiene R.A.P. (corriente de accesorio retenida)
- Proporciona salidas de NAV (freno de mano, reversa, sensor de velocidad)
- Retiene los controles de audio en el volante
- Retiene la cámara de reversa de fábrica
- Retiene el balance
- Actualizable por micro-B USB

## COMPONENTES DE LA INTERFAZ

---

- Interfaz Axxess (integrada a la pantalla táctil)
- Arnés 5840
- Interfaz HVAC
- Arnés de la interfaz HVAC
- Arnés de 16 pins con conectores pelados
- Arnés de cámara de reversa de 54 pins
- Arnés de 4 pins con conectores RCA amarillos
- Conector hembra de 3.5 mm con conectores pelados

## INDICE

---

Conexiones .....	8-9
Instalación .....	10
Programación .....	11
Operación de la pantalla táctil.....	12-13
Configuración del control en el volante .....	14-15
Resolución de problemas .....	16

## HERRAMIENTAS REQUERIDAS

---

- Herramienta de ponchadora y conectores, o pistola de soldadura, soldadura y termocontracción
- Cinta • Cortacables • Zip lazos • Pequeño destornillador de cabeza plana

### Del arnés de 16 pins con conectores pelados al radio de mercado secundario:

- Conecte el cable **rojo** al cable de accesorios.
- Conecte el cable **azul/blanco** al cable de encendido del amplificador. Este cable debe estar conectado para escuchar sonido del amplificador de fábrica.
- Si el radio de mercado secundario tiene un cable de iluminación, conecte a él el cable **anaranjado/blanco**.
- Conecte el cable **gris** con la salida positiva de la bocina derecha delantera.
- Conecte el cable **gris/negro** con la salida negativa de la bocina derecha delantera.
- Conecte el cable **blanco** con la salida positiva de la bocina izquierda delantera.
- Conecte el cable **blanco/negro** con la salida negativa de la bocina izquierda delantera.
- Conecte el cable **verde** con la salida positiva de la bocina izquierda trasera.
- Conecte el cable **verde/negro** con la salida negativa de la bocina izquierda trasera.
- Conecte el cable **púrpura** con la salida positiva de la bocina derecha trasera.
- Conecte el cable **púrpura/negro** a la salida negativa de la bocina derecha trasera.

Los siguientes (3) cables son únicamente para radios con multimedia/navegación que requieren estos cables.

- Conecte el cable **azul/rosado** al cable VSS/de detección de velocidad.
- Conecte el cable **verde/púrpura** al cable de reversa.
- Conecte el cable **verde claro** al cable de freno de mano.
- Coloque cinta e ignore el siguiente (1) cable; no se utilizará en esta aplicación: **Marrón**

### Desde el arnés 5840 al radio de mercado secundario:

- Conecte el cable **negro** al cable de tierra.
- Conecte el cable **amarillo** al cable de la batería.
- Conecte el cable **azul** al cable de la antena de encendido.
- Ignore los conectores RCA **rojo y blanco** rotulados “RSE/SYNC/SAT”; no se utilizarán en esta aplicación.
- Ignore los conectores RCA **rojo y blanco** rotulados “FROM 3.5”; no se utilizarán en esta aplicación.
- Coloque cinta e ignore los siguientes (4) cables; no se utilizarán en esta aplicación: **verde, verde/negro, púrpura, púrpura/negro**

*Continúa en la siguiente página*



## La retención del control en volante con conector de 3.5 mm

El conector de 3.5 mm se debe usar para retener los controles de audio en el control del volante.

- **Para los siguientes radios:** Conecte el **conector hembra de 3.5 mm con conectores pelados** en el conector macho SWC de 3.5 mm del **arnés 5840**. Cualquier cable restante debe cubrirse con cinta e ignorarse.
  - **Eclipse:** Conecte el cable del control en el volante, normalmente **marrón**, al cable del conector **marrón/blanco**. Después conecte el cable del control en el volante, normalmente **marrón/blanco**, al cable del conector marrón.
  - **Equipo original Metra:** Conecte el cable Key 1 (**gris**) del control en el volante al cable **marrón**.
  - **Kenwood** o seleccione JVC con un cable de control en el volante: Conecte el cable **azul/amarillo** al cable **marrón**.

**Nota:** Si su radio **Kenwood** se detecta automáticamente como un **JVC**, ajuste manualmente el tipo de radio como **Kenwood**. Vea las instrucciones a continuación para cambiar el tipo de radio.
  - **XITE:** Conecte el cable SWC-2 del control en el volante del radio al cable marrón.
  - **Parrot Asteroid Smart o Tablet:** Conecte el conector de 3.5 mm al AX-SWC-PARROT (se vende por separado) y después conecte el conector de 4 pins del AX-SWC-PARROT al radio.

**Nota:** El radio debe estar actualizado a la versión de software 2.1.4 o posterior.
  - **Radio universal de “2 o 3 cables”:** Conecte el cable del control en el volante, conocido como Key-A o SWC-1, al cable del conector **marrón**. Después conecte el cable restante del control en el volante, conocido como Key-B o SWC-2, al cable **marrón/blanco** del conector. Si el radio llega con un tercer cable para hacer tierra, ignore este cable.

**Nota:** Después de haber programado la interfaz al vehículo, haga referencia al manual provisto con el radio para asignar los botones SWC. Contacte al fabricante del radio para mayor información.

- **Para todos los demás radios:** Conecte el conector de 3.5 mm dentro del puerto en el radio designado para una interfaz externa de control en el volante. Haga referencia al manual provisto con el radio si tiene duda de dónde va el conector de 3.5 mm.

## Arnés de cámara de reversa de 54 pins:

Existen dos métodos distintos para conectar la cámara de reversa de fábrica.

### Si se desea retener la cámara al radio de mercado secundario:

- Conecte el conector RCA **amarillo** a la entrada de la cámara de reversa del radio de mercado secundario.

### Si se desea retener la cámara a la pantalla táctil:

- Conecte el conector RCA **amarillo** al conector RCA **amarillo** del **arnés de 4 pins con conectores RCA amarillos** rotulados “Rearview camera”.

**Nota:** Si se elige este método, la opción de cámara de reversa debe estar habilitada en la **Ajustes de Configuración**.

- Ignore el conector RCA **amarillo** rotulado “AUX video”; no se utilizará en esta aplicación.

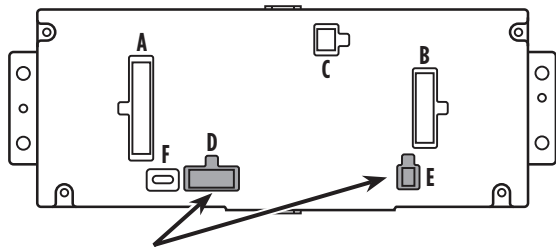
# INSTALACIÓN

Se recomienda de gran manera que lea antes los siguientes pasos para asegurar que entienda bien lo que se espera. Los siguientes pasos deben seguirse en el orden en que están numerados.

## Con el vehículo completamente apagado:

### Pantalla táctil

1. Conecte el **arnés de 16 pins con conectores pelados** en el puerto “B” en la pantalla táctil.
2. Conecte el **arnés 5840** a los arneses del cableado en el vehículo. Estos arneses son los que se retiran del paso 13 en el desmontaje del tablero. Después inserte el arnés 5840 en el puerto “A” en la pantalla táctil. Pero no instale este arnés hasta que llegue justo antes del paso 1 de “Programación”. Este es un proceso programado.
3. Conecte el **arnés de 4 pins con conectores RCA amarillos** en el puerto “C” en la pantalla táctil.
4. Ignore los puertos “D” y “E”; no se utilizarán en esta aplicación.
5. El puerto “F” es un puerto de actualización para actualizaciones de firmware futuras.



**Nota:** NO CONECTE!

### Interfaz HVAC

6. Conecte el **arnés de la interfaz HVAC** en la **interfaz HVAC** y luego a los arneses de cableado en el vehículo. Estos arneses son los que se retiran del paso 11 en el desmontaje del tablero.
  - a. Después conecte el **arnés de 10 pins** dentro del ensamble del *tablero de circuitos de encendido/apagado del motor*.

**Atención:** Existen (2) conectores de 10 pins; uno en el ensamble del tablero de circuito de encendido/apagado del motor, y uno en la pantalla táctil. Use únicamente el conector apropiado e ignore el otro. Si se usa accidentalmente el puerto incorrecto, el vehículo deberá restablecerse quitando la batería durante unos minutos.

**Nota:** Ignore el arnés de 4 pins planos a 4 pins apilados; no se utilizará en esta aplicación.
7. Conecte el arnés de 6 pines **del arnés 5840 a la interfaz HVAC**.
8. Conecte el conector hembra del **arnés de la cámara retrovisora de 54 pines** al arnés de cableado del vehículo. Este conector está ubicado detrás de la pantalla de fábrica, que se quitó en el paso 12 del desmontaje del tablero.

**Nota:** Ignore el conector macho, no se utilizará en esta aplicación.
9. Ubique el conector de antena de fábrica en el tablero y complete todas las conexiones necesarias a la radio. Utilice el adaptador de antena proporcionado para adaptar el conector de antena de fábrica a la radio no original.

## PROGRAMACIÓN

1. Haga referencia al paso 2 de **Instalación**.
2. Presione el botón de pulsar para arrancar para arrancar el vehículo.
3. Programar el kit:
  - a. Tan pronto como se cargue la pantalla táctil, seleccione el tipo.
  - b. Espere a que se encienda el radio y la pantalla táctil muestre **SWC Configured**. Este proceso puede requerir hasta 3 minutos.

**Nota:** Si la pantalla táctil no se carga o el radio no se enciende en los siguientes 3 minutos, y/o la pantalla táctil no muestra **SWC Configured**, verifique todas las conexiones, luego reinicie la interfaz e intente nuevamente. Consulte la sección **Solución de Problemas**.
4. Apague la llave. Si la puerta del conductor está cerrada, abra y cierre la puerta. Vuelva a encender la llave.
5. Pruebe todas las funciones de la instalación para verificar la operación correcta antes de volver a ensamblar el tablero.

## ENSAMBLE FINAL

1. Conecte el **cable USB** unido al **panel de la moldura del radio con la pantalla táctil** al puerto USB en la parte trasera del radio, en su caso.
2. Sujete el ensamblaje terminado en el tablero superior con la herramienta de fábrica que quitó en el paso 12 del desmontaje del tablero.
3. Coloque a presión el **panel de la moldura del radio con la pantalla táctil** sobre el ensamblaje completo y luego vuelva a armar el tablero al revés de cómo lo desarmó.

## OPERACIÓN DE LA PANTALLA TÁCTIL

### Pantalla de control de clima

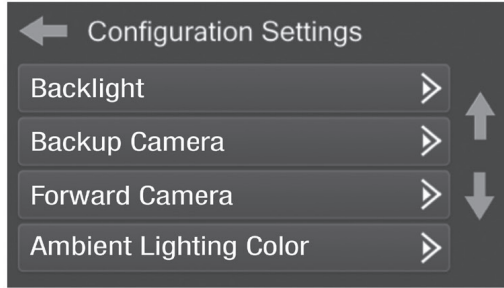


- Esta es la pantalla de control de clima que se mostrará en *la pantalla táctil*. Esto se considera la **Menú Principal**.
- La pestaña superior izquierda con (3) flechas lo llevará a la pantalla de Asientos con **calefacción/enfriamiento** y los asientos y la **dirección con calefacción** ahora se colocan, si corresponde.
- La pestaña superior derecha con el ícono de engrane lo llevará a la **pantalla de Configuraciones**
- Los controles del clima funcionarán del mismo modo que con los controles del clima de fábrica.

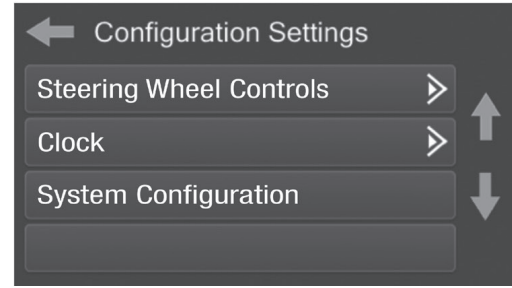
*Continúa en la siguiente página*

# OPERACIÓN DE LA PANTALLA TÁCTIL (CONT.)

## Ajustes de configuración



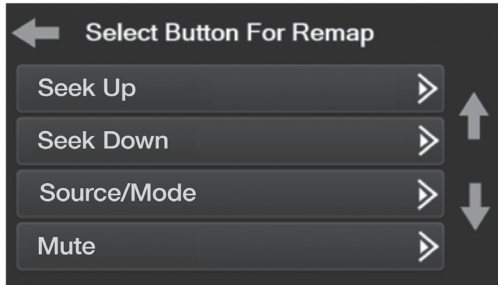
- **Iluminar desde el fondo**
  - Para controlar el color de los botones y la intensidad de la retroiluminación.
- **Cámara de visión trasera**
  - Activa/desactiva la imagen de la cámara retrovisora en la pantalla táctil. Deshabilitado por defecto.
- **Cámara delantera**
  - Para indicar dónde se mostrará la imagen de la cámara o para desactivar la cámara
- **Color de iluminación ambiental**
  - Para ajustar el color de la luz ambiental en el vehículo



- **Controles del volante**
  - Botones de reasignación: para reasignar los botones de control del volante
  - Asignación dual: para asignación dual de los botones de control del volante (pulsación prolongada del botón)
  - Seleccionar radio: para detectar automáticamente la radio o cambiar el tipo de radio
- **Reloj**
  - Para configurar el reloj y el modo de hora
- **Configuración del sistema**
  - Acerca de: información sobre el software incluido en el kit
  - Unidad de temperatura: para cambiar entre Celsius y Fahrenheit
  - Ganancia de amplificador digital: para ajustar la ganancia de salida al amplificador
  - Restablecer tipo de vehículo: para restablecer el kit a la configuración predeterminada

## CONFIGURACIÓN DE CONTROL EN VOLANTE

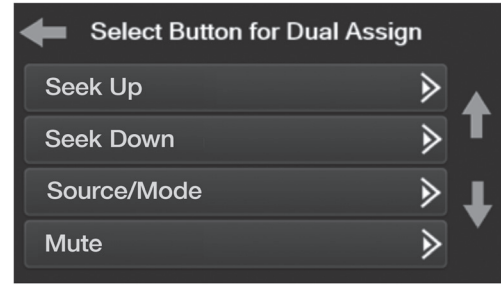
### Pantalla para reubicar el botón



- La interfaz tiene la capacidad de cambiar la asignación de botón para los botones de audio del control en el volante, excepto para Subir volumen y Bajar volumen. Siga las indicaciones en la pantalla táctil para reubicar el(los) botón(es) de audio del control en el volante a su gusto.

**Nota:** El radio de mercado secundario puede no tener todos estos comandos. Consulte el manual del suministrado con el radio o comuníquese con el fabricante del radio para obtener los comandos específicos reconocidos por ese radio en particular.

### Pantalla de doble asignación



- La interfaz tiene la capacidad de asignar dos funciones a un solo botón, excepto Subir volumen y Bajar volumen. Siga las indicaciones en la pantalla táctil para programar el(los) botón(es) a su gusto.

**Nota:** Buscar anterior y Buscar siguiente vienen programados como Subir preestablecido y Bajar preestablecido cuando se presiona el botón por largo tiempo.

*Continúa en la siguiente página*

## CONFIGURACIÓN DE CONTROL EN VOLANTE (CONT.)

### Seleccionar la pantalla del radio



- Para mostrar qué marca de radio se “detecta automáticamente” a la interfaz, oprima el botón “Autodetect”. El radio detectado tendrá un círculo relleno. Si se muestra el radio incorrecto, seleccione el radio correcto.
- Después se ve una lista de fabricantes de radio que la interfaz reconoce en ese momento. Otros pueden agregarse en una fecha posterior. Los radios universales de “2 o 3 cables” pueden mostrarse como cualquiera de estos fabricantes de radio.

Eclipse (Tipo 1) †	Pioneer/Jensen	Clarion (Tipo 2) †	Parrot **
Kenwood ‡	Alpine *	Metra OE	XITE
Clarion (Tipo 1) †	Visteon	Eclipse (Tipo 2) †	Philips
Sony / Dual	Valor	LG	JBL
JVC			

**\* Nota:** Si la interfaz muestra un radio Alpine y no tiene un radio Alpine, eso significa que la interfaz no detecta un radio conectado a él; es decir, una conexión abierta. Verifique que el conector de 3.5 mm esté conectado al conector/cable correcto del volante en el radio.

**\*\* Nota:** Se requiere el AX-SWC-PARROT (se vende por separado). Además, el radio Parrot debe estar actualizado a la versión de software 2.1.4 o posterior mediante [www.parrot.com](http://www.parrot.com).

**† Nota:** Si tiene un radio Clarion y los controles en el volante no funcionan, cambie el tipo de radio al otro tipo de radio Clarion; haga lo mismo con Eclipse.

**‡ Nota:** Si tiene un radio Kenwood y la pantalla táctil muestra un radio JVC, cambie el tipo de radio a Kenwood.



## RESOLUCIÓN DE PROBLEMAS

### Restablecer la interfaz

#### Opción 1

1. Con todo conectado y el coche funcionando.
2. Mantenga presionados los botones inferiores (2) durante 3 segundos y luego suéltelos. (Figura A) (La pantalla se volverá negra y luego lo colocará en la pantalla de selección de vehículo)
3. Seleccione su vehículo y espere hasta que aparece "SWC configurado" en la pantalla.
4. Apague el encendido y arranque el vehículo, luego prueba tu interfaz.



(Figura A)

#### Opción 2

1. Con el vehículo en marcha, presione el botón **Restablecer tipo de vehículo** mencionado en **Configuración del sistema**.
2. Consulte **Programación**, paso 3, a partir de este punto.

¿Tienes dificultades? Estamos aquí para ayudar.



Póngase en contacto con nuestra línea de soporte técnico en:  
**386-257-1187**



O por correo electrónico a:  
[techsupport@metra-autosound.com](mailto:techsupport@metra-autosound.com)

### Horas de soporte técnico (hora estándar del este)

Monday - Friday: 9:00 AM - 7:00 PM  
Saturday: 10:00 AM - 5:00 PM  
Sunday: 10:00 AM - 4:00 PM



Metra recomienda MECP  
técnicos certificados