



INSTALLATION INSTRUCTIONS FOR PART 99-7612

APPLICATIONS

Nissan Murano 2003-2007 99-7612A, 99-7612B

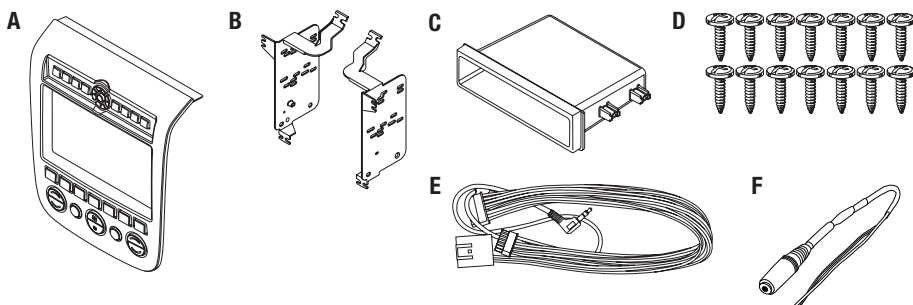
KIT FEATURES

- DDIN Head unit provisions
- ISO DIN Head unit provision with pocket
- *7612A-Coated with Brushed Aluminum look*
- *7612B-Painted Matte Black*



KIT COMPONENTS

- A) Radio Housing • B) Radio Housing Brackets • C) Pocket • D) (14) #8 x 3/8" Phillips screws
- E) 7612 wire harness • F) Female 3.5mm Connector w/ Brown and Brown/White Wires



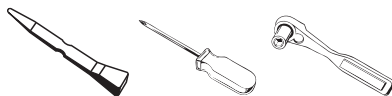
WIRING & ANTENNA CONNECTIONS (Sold Separately)

- Wiring Harness: • 70-7550 1995-Up Nissan Harness
• 70-7551 1995-Up Nissan Amp Integration Harness

Antenna Adapter: • 40-NI10 Nissan Antenna Adapter

TOOLS REQUIRED

- Panel Removal Tool • Phillips Screwdriver • Socket Wrench



METRA. THE WORLD'S BEST KITS.™



1-800-221-0932



metraonline.com

© COPYRIGHT 2004-2011 METRA ELECTRONICS CORPORATION

REV. 3/19/12



99-7612

Table of Contents

Dash Disassembly

- Nissan Muirano 2003-2007..... 3-5

Kit Assembly

- ISO DIN head unit provision with pocket 6-7
- DDIN head unit provision 8-9

Caution

Metra recommends disconnecting the negative battery terminal before beginning any installation. All accessories, switches, and especially air bag indicator lights must be plugged in before reconnecting the battery or cycling the ignition.

****NOTE: Refer also to the instructions included with the aftermarket radio.***



KNOWLEDGE IS POWER

Enhance your installation and fabrication skills by enrolling in the most recognized and respected mobile electronics school in our industry. Log onto www.installerinstitute.com or call 800-354-6782 for more information and take steps toward a better tomorrow.

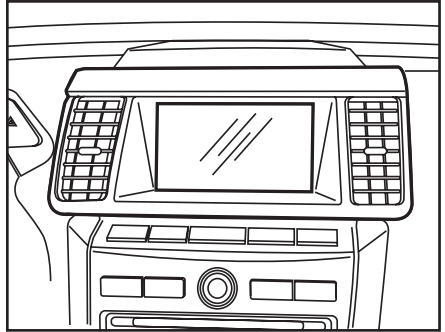


Metra recommends MECP certified technicians

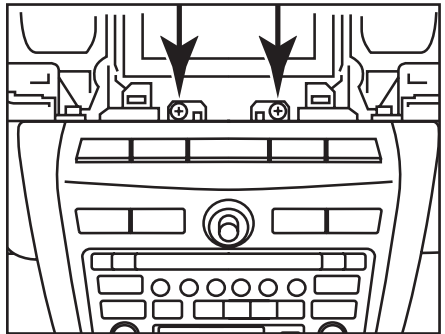
Dash Disassembly

1. Unclip and remove the trim panel surrounding the display and including the a/c vents. (Figure A)
2. Remove (2) Phillips screws exposed behind vent/display trim panel. (Figure B)
3. Unclip and remove the lower trim panel around the bottom of the radio panel. (Figure C)

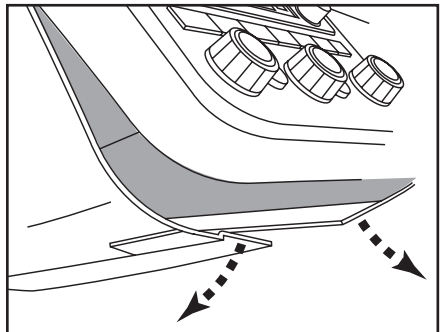
Continued on next page



(Figure A)



(Figure B)

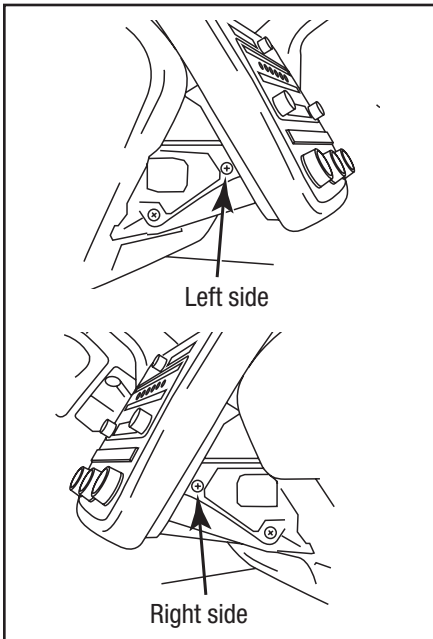


(Figure C)

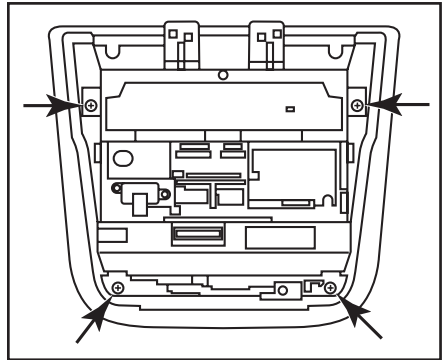
Dash Disassembly

4. Remove (1) Phillips screw per side of radio chassis exposed behind lower trim panel. (Figure D)
5. Remove radio/climate control assembly from the sub dash.
6. Remove (4) Phillips screws securing the radio chassis to the factory radio trim panel. Lift up slightly and proceed to step 7. (Figure E)
7. Unlock the connector on the switch panel and remove the cable joining the chassis and switch panel. (Figure F)

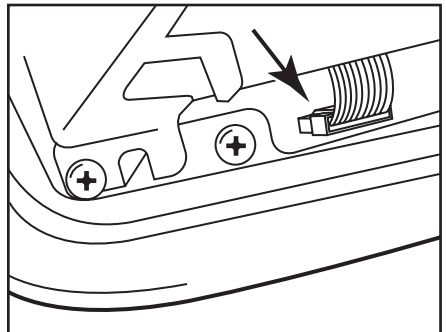
Continued on next page



(Figure D)



(Figure E)

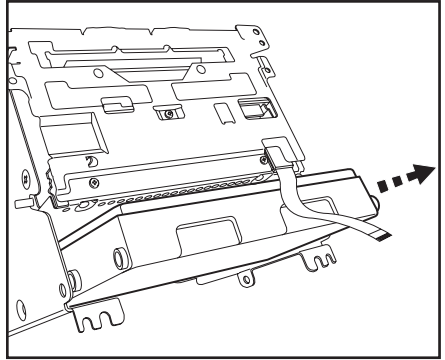


(Figure F)

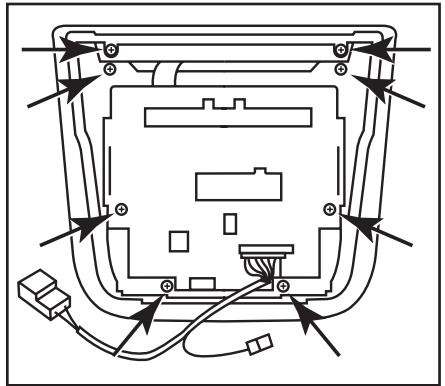
Dash Disassembly

8. Remove the unified meter a/c amp from radio chassis assembly. (Figure G)
9. Remove (8) Phillips screws securing the switch panel to the radio trim panel. Unplug and keep the harness and trim panel for Kit Assembly. (Figure H)

Continue to kit assembly



(Figure G)



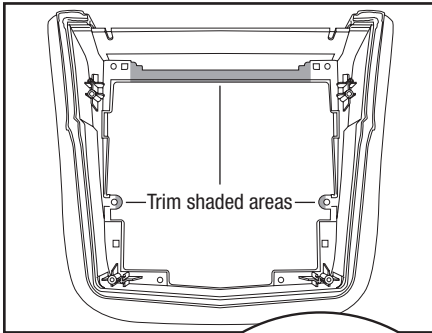
(Figure H)



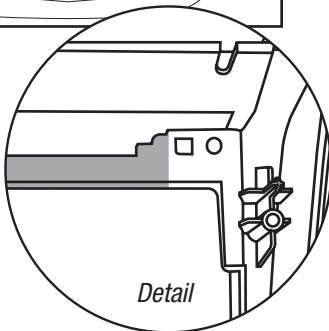
Kit Assembly 99-7612

ISO DIN head unit provision with pocket

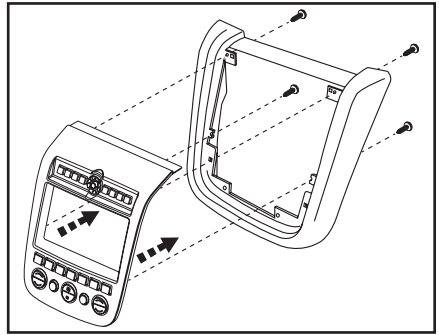
1. Trim the shaded areas from the factory radio trim panel. (Figure A) Do not cut the locator and screw hole off as they will be necessary to mount the 99-7612 radio housing. (See detail)
2. Attach the 99-7612 Radio Housing to the Radio Trim Panel using (4) supplied 3/8" Phillips screws. (Figure B)
3. Mount the Radio Housing Brackets to the head unit with the screws supplied with the unit. (Figure C)
4. Mount the pocket to the radio/bracket assembly using (4) supplied 3/8" Phillips screws. (Figure C)



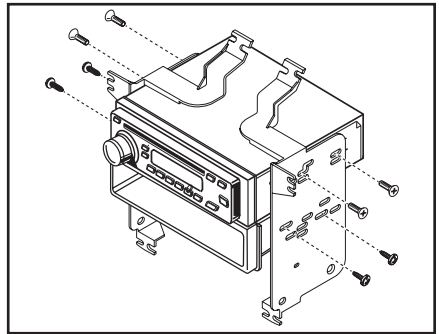
(Figure A)



Detail



(Figure B)



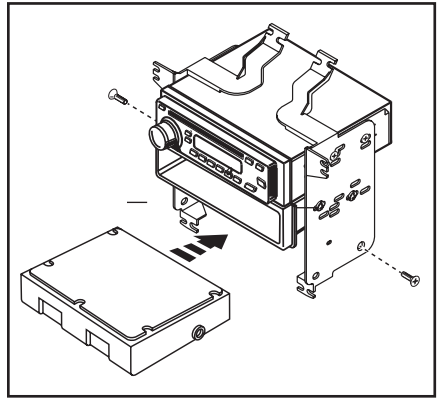
(Figure C)



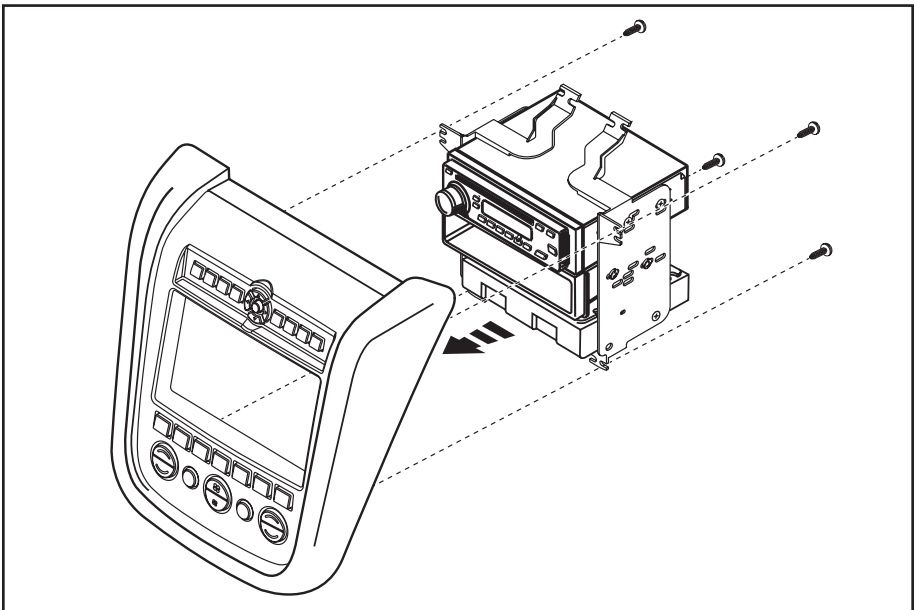
Kit Assembly 99-7612

ISO DIN head unit provision with pocket

5. Mount the Unified Amp Meter to the radio/bracket assembly using (2) supplied 3/8" Phillips screws. (Figure D)
6. Mount the whole radio/pocket/meter assembly to the radio trim panel using (4) supplied 3/8" Phillips screws. (Figure E)
7. Locate the factory wiring harness and antenna plug in the dash. Metra recommends using the proper mating adapters from Metra and/or AXXESS.
8. Reassemble dash in reverse order of disassembly.



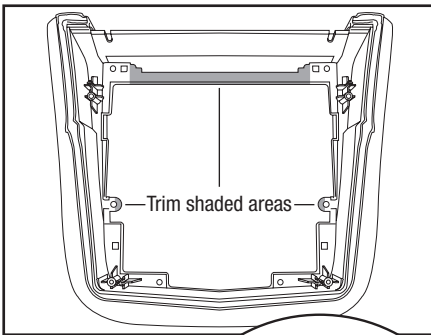
(Figure D)



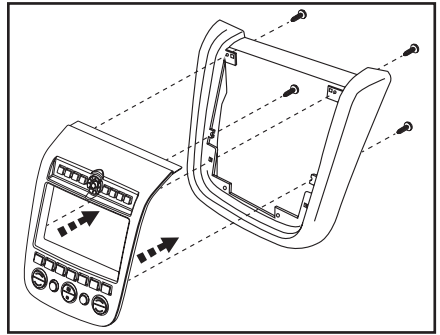
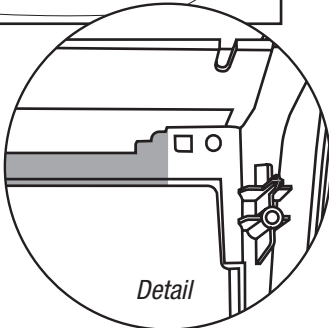
(Figure E)

DDIN head unit provision

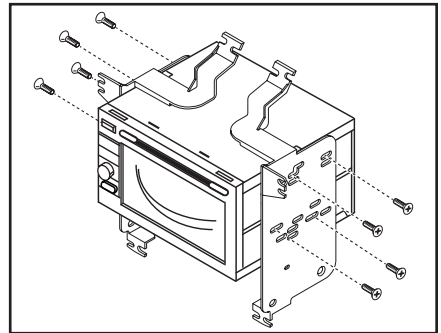
1. Trim the shaded areas from the factory radio trim panel. (Figure A) Do not cut the locator and screw hole off as they will be necessary to mount the 99-7612 radio housing. (See detail)
2. Attach the 99-7612 Radio Housing to the Radio Trim Panel using (4) supplied 3/8" Phillips screws. (Figure B)
3. Slide the Double DIN head unit into the radio housing brackets and secure with screws supplied with the unit. (Figure C)



(Figure A)



(Figure B)



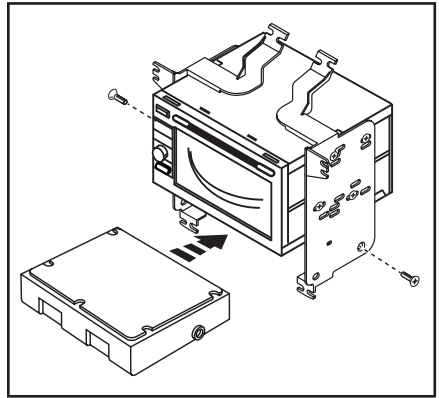
(Figure C)



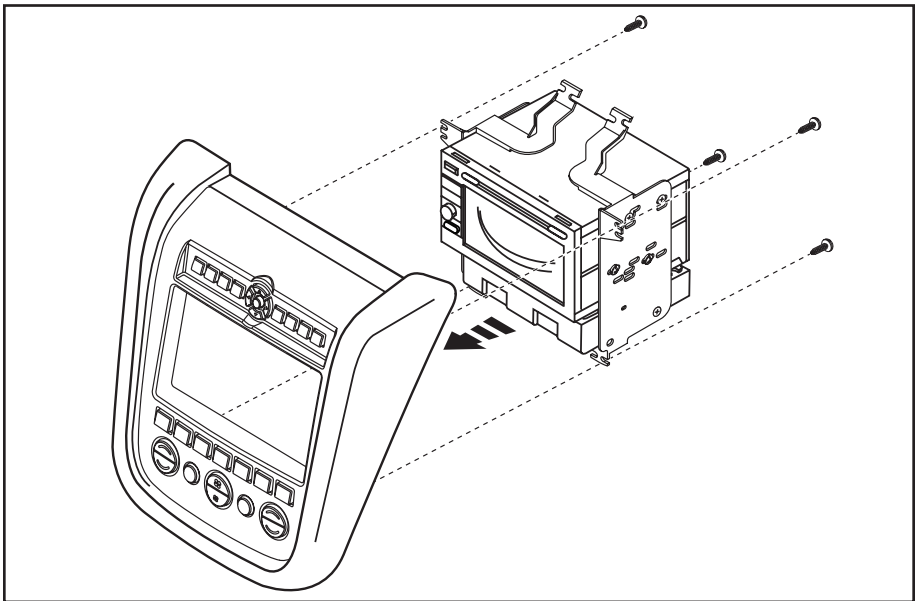
Kit Assembly 99-7612

DDIN head unit provision

4. Mount the Unified Amp Meter to the radio/bracket assembly using (2) supplied 3/8" Phillips screws. (Figure D)
5. Mount the whole DDIN radio/meter assembly to the radio trim panel using (4) supplied 3/8" Phillips screws. (Figure E)
6. Locate the factory wiring harness in the dash. Metra recommends using the proper mating adapter from Metra or AXCESS. Re-connect the negative battery terminal and test the unit for proper operation.
7. Reassemble dash in reverse order of disassembly.



(Figure D)



(Figure E)



99-7612

Wiring Instructions

****Important: Before beginning any of the following, disconnect the negative battery terminal to prevent an accidental short circuit.***

1. Plug the **black** 16-way connector into the 99-7612.
2. Plug the **black** 12-way connector into the 99-7612.
3. Plug the **white** 16-way connector into the factory harness.
4. Plug the 3.5 jack into the aftermarket radio.

SWC Programming

Note: Programming must take place within 20 seconds of turning the ignition on.

1. Hold the Volume Down button on the steering wheel for at least 25-seconds until the lights on the kit start to flash.
2. Tap volume up to program the radio type. ***Note: Lights on kit will blink to corresponding number of button presses. Use the following chart to choose which type of radio you are programming.***
 - 1st LED flash is for Eclipse
 - 2nd LED flash is for Kenwood**
 - 3rd LED flash is for Clarion
 - 4th LED flash is for Sony and Dual
 - 5th LED flash is for JVC
 - 6th LED flash is for Pioneer and Jensen
 - 7th LED flash is for Alpine*
 - 8th LED flash is for Visteon
 - 9th LED flash is for Valor
 - 10th LED flash is for Clarion 5V
3. Once you choose your radio type hold volume down for 5-seconds to finish programming the steering wheel controls. ***Note: The kit will confirm the radio type by the number of times the lights blink.***



99-7612

SWC Button Reassignment/Remapping

Let's say you have the 99-7612 programmed to your vehicle and your radio and you want to change the button assignment for the steering wheel controls. For instance you would like Seek Up to be Mute.

- The 99-7612 must have detected the vehicle and radio it is attached to before you can remap any buttons.
- You can only start the remapping of the steering wheel controls process within the first 20-seconds of turning the ignition key on. If you wait longer then the 20-seconds you will have to turn the ignition off then back on again.
- Within the first 20-seconds if any button other then Volume Up or Volume Down is pushed, the remapping process will stop.
- If during the remapping process no button is pushed for 30-seconds the remapping process is aborted and the original settings are reset.

So let's begin the remapping process:

1. Turning off the radio is recommended.
2. Within the first 20 seconds of turning the ignition on, press and hold down the Volume Up button for at least 25 seconds.
3. The lights on the 99-7612 will light up solid. Release Volume Up and the lights will go out. Volume Up has now been programmed.
4. Follow the list below in order however pushing the steering wheel control button you want for the function below. If you want to skip a command press the Volume Up on the steering wheel, this will tell the 99-7612 to skip the command and go to the next one.

| | | |
|-------------------|----------------|------------------------|
| 1. Volume Up | 6. Mute | 11. Play/Enter |
| 2. Volume Down | 7. Preset Up | 12. PTT (Push To Talk) |
| 3. Seek Up/Next | 8. Preset Down | 13. On Hook |
| 4. Seek Down/Prev | 9. Power | 14. Off Hook |
| 5. Source/Mode | 10. Band | |

*** Note: Remember not all radios will have all these commands. Please refer to the radios' owners manual for specific commands recognized by the radio.**

Continued on next page



99-7612

SWC Button Reassignment/Remapping

For instance the next command to be mapped is the Volume Down command. Let's say you want the Mode button on your steering wheel to be the Volume Down command. Hold down the Mode button till the LED lights up solid red, and then release it. Now your Mode button on the steering wheel is Volume Down.

5. After the last button is programmed on your steering wheel (you do not have to go through the whole list), hold down the Volume Up button for at least 10-seconds then the led will go out.

Or

After the 18th button is programmed or skipped the LED will go out and the remapping is completed.

Driver Information Center Button Control Note:

The metra kit button layout does not provide the MAINT or the E/M buttons from the factory setup. MAINT button on the 99-7612 is accessed by pressing the DAY/NIGHT and HOUR buttons simultaneously. The E/M button is done by pressing PREV and MIN simultaneously.



INSTALLATION INSTRUCTIONS FOR PART 99-7612

REV. 3/19/12



1-800-221-0932



metraonline.com

© COPYRIGHT 2004-2011 METRA ELECTRONICS CORPORATION