



Toyota 4-Runner 2010-up

Visit MetraOnline.com for more detailed information about the product and up-to-date vehicle specific applications

KIT FEATURES

- ISO DIN radio provision with pocket
- ISO DDIN radio provision
- 99-8271S - Painted in silver
- 99-8271CHG - Finished in charcoal high gloss

KIT COMPONENTS

- A) Radio trim panel • B) Radio brackets • C) Pocket • D) Vent trim panels • E) Two different hazard button trim panels • F) Panel clips (4)
- G) #4 x 3/8" Phillips screws (2) • H) #4 x 1/4" Phillips screws (4) • I) #8 x 3/8" Phillips screws (4)

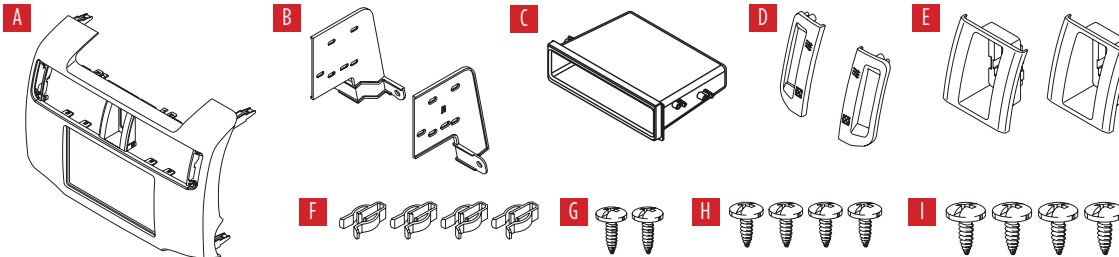


TABLE OF CONTENTS

Dash Disassembly	2-3
Kit Preparation	4
Kit Assembly	
–ISO DIN radio provision with pocket	5
–ISO DDIN radio provision.....	6

WIRING & ANTENNA CONNECTIONS (sold separately)

Visit metraonline.com for audio and steering wheel interface options.

Antenna adapter: Not required (2010-2013)

- 40-LX11 (2014-up)

TOOLS REQUIRED

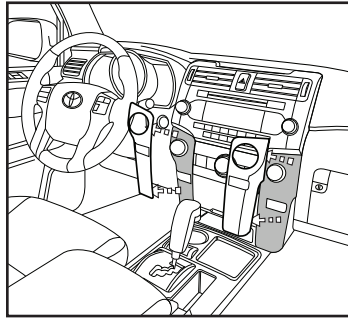
- Phillips screwdriver • Panel removal tool
- 10mm socket wrench

Attention! With the key out of the ignition, disconnect the negative battery terminal before installing this product. Ensure that all installation connections are secure before cycling the ignition to test this product.

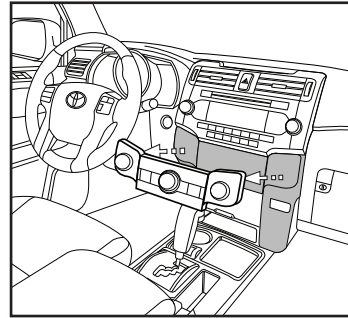
DASH DISASSEMBLY

1. Unclip and remove the (2) climate control knob trim panels. (Figure A)
2. Unclip and remove the climate control (Figure B)
3. Remove (4) 10mm bolts securing the radio. (Figure C)

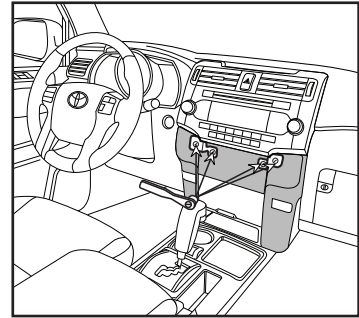
Continued on the next page



(Figure A)



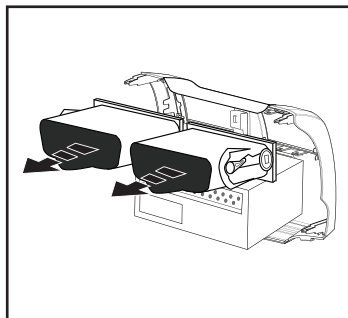
(Figure B)



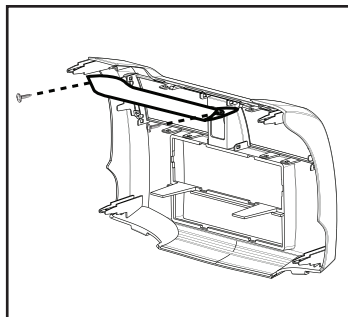
(Figure C)

DASH DISASSEMBLY (CONT.)

4. Unclip and remove the vents from the factory radio panel. (Figure D)
5. Remove the (2) Phillips screws securing the trim panel on the top of the factory radio panel. (Figure E)



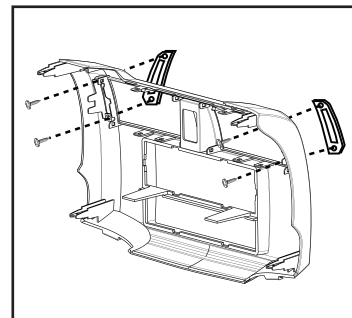
(Figure D)



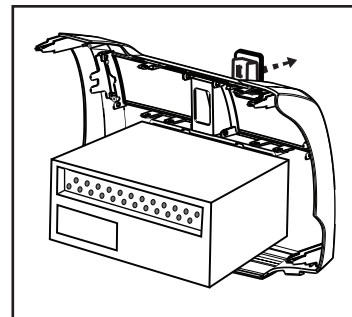
(Figure E)

6. Remove the (4) Phillips screws securing the outer a/c vent control wheel trim pieces. 2020-up models will require the included **vent trim panels**. (Figure F)
7. Unclip and remove the hazard switch from the factory radio trim panel. (Figure G)

Continue to Kit Preparation



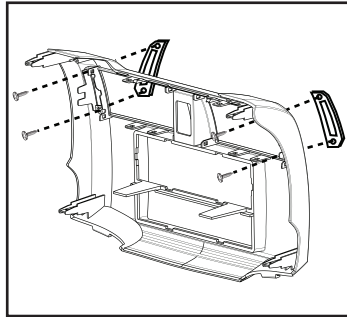
(Figure F)



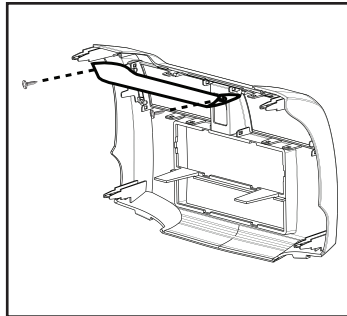
(Figure G)

KIT PREPARATION

1. Attach the outer a/c vent control wheel trim pieces to the **radio trim panel** using the factory hardware. Attach the outer **vent trim panels** using the factory hardware. **Vent trim panels** and two different style **hazard trim panels** plus (4) #4x 1/4" Phillips screws have been provided for 2020-up models. Check fitment of the factory hazard button before attaching the **hazard trim panel**. (Figure A)
2. Attach the trim panel to the top of the **radio trim panel** using the factory hardware. (Figure B)
Note: (2) #4 x 3/8" Phillips screws are provided "Just in case".



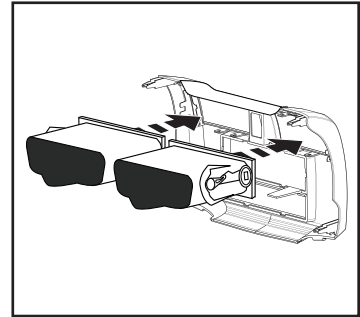
(Figure A)



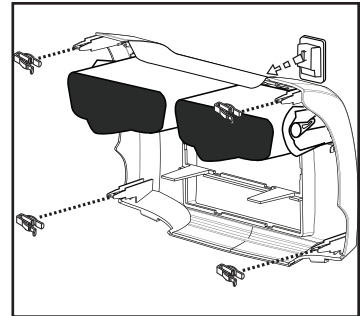
(Figure B)

3. Attach the a/c vents to the **radio trim panel**. (Figure C)
4. Snap the hazard switch into the **radio trim panel**. (Figure D)
5. Attach (4) **panel clips** to the **radio trim panel**. (Figure D)

Continue to Kit Assembly



(Figure C)

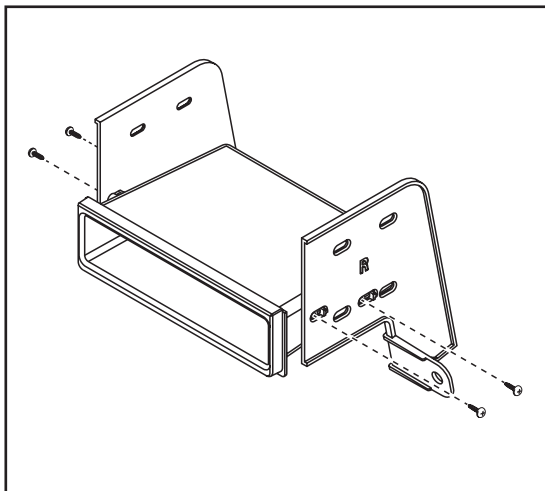


(Figure D)

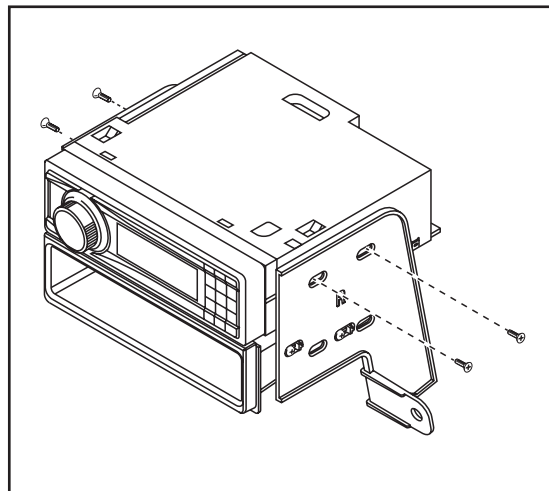
KIT ASSEMBLY

ISO DIN provision with pocket

1. Attach the **pocket** to the **radio brackets** using the (4) supplied #8 x 3/8" Phillips screws. (Figure A)
2. Slide the radio into the bracket/pocket assembly and secure it using screws supplied with the radio, then secure the completed assembly into the dash opening. (Figure B)
3. Locate the factory wiring harness and antenna connector in the dash, and complete all necessary connections to the radio. Metra recommends using the proper mating adapter from Metra and/or AXXESS. Re-connect the negative battery terminal and test the radio for proper operation.
4. Snap the **radio trim panel** over the radio and reassemble the dash in reverse order of disassembly.



(Figure A)

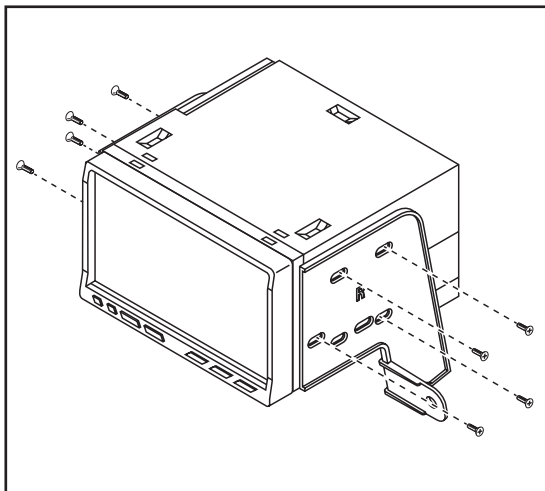


(Figure B)

KIT ASSEMBLY

ISO DDIN radio provision

1. Secure the **radio brackets** to the radio using the screws supplied with the radio. (Figure A)
2. Secure the completed assembly into the dash opening.
3. Locate the factory wiring harness and antenna connector in the dash, and complete all necessary connections to the radio. Metra recommends using the proper mating adapter from Metra and/or AXXESS. Re-connect the negative battery terminal and test the radio for proper operation.
4. Snap the **radio trim panel** over the radio and reassemble the dash in reverse order of disassembly.



(Figure A)



99-8271
INSTALLATION INSTRUCTIONS



Having difficulties? We're here to help.



Contact our Tech Support line at:

386-257-1187



Or via email at:

techsupport@metra-autosound.com

Tech Support Hours (Eastern Standard Time)

Monday - Friday: 9:00 AM - 7:00 PM

Saturday: 10:00 AM - 7:00 PM

Sunday: 10:00 AM - 4:00 PM



KNOWLEDGE IS POWER

Enhance your installation and fabrication skills by enrolling in the most recognized and respected mobile electronics school in our industry. Log onto www.installerinstitute.edu or call 386-672-5771 for more information and take steps toward a better tomorrow.



Metra recommends MECP certified technicians